

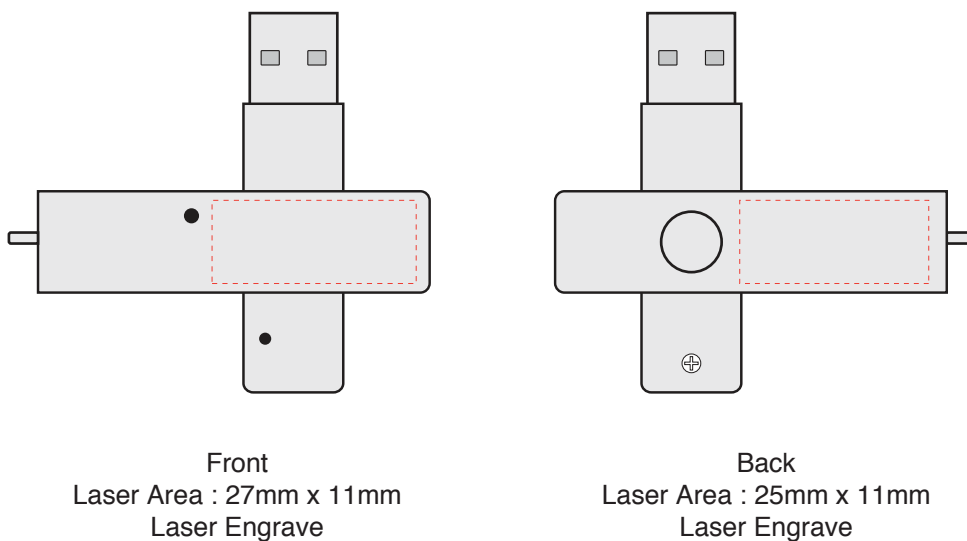
AR236

Slim Brushed Metal Swivel Drive

Print Process: Pad Print, Laser Engrave

Product Size: 53 x 14 x 10 mm

Colours: Product Colour: Silver



Please follow these artwork guidelines: • Use and supply vector-based artwork • Illustrator compatible EPS or PDF with all fonts outlined • Indicate any critical colour details with the correct PMS colour • All Pantone colours need to be supplied as Pantone Coated (PMS C) colours • All details need to be “embedded” in the file, i.e. no linked artwork should be provided • Bleed is crucial when printing edge to edge. Artwork must extend beyond the finished and trim size dimensions.